

PARALLEL VENT MANUAL OPERATION HINGE SELECTION GUIDE

NOTE :- DIMENSIONS SHOWN ARE OVERALL VENT SIZES.

NOTE :- ENSURE THAT THE VENT & FRAME HINGE FIXING FACES ALLOW SPACE TO FIT THE HINGES & ANY OTHER HARDWARE

PX0350

350

400 - 600



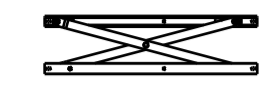
MANUAL OPERATION

TWO HANDLES CENTRAL ON SIDES
SINGLE HANDLE CENTRAL AT BOTTOM

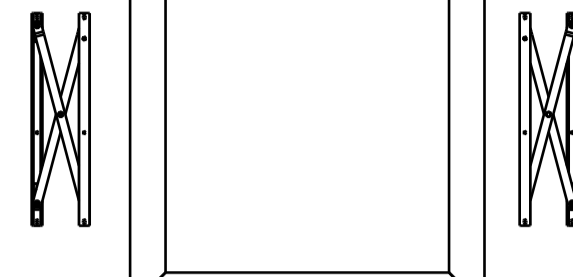
PREFERRED OPTION
ALTERNATIVE OPTION

PX0450
MAXIMUM VENT WEIGHT FOR
MANUAL OPERATION 100 KG

PX0450



500 - 970

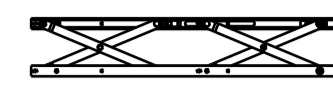


MANUAL OPERATION

TWO HANDLES CENTRAL ON SIDES
SINGLE HANDLE CENTRAL AT BOTTOM

PREFERRED OPTION
ALTERNATIVE OPTION

PX0670



970 - 1250



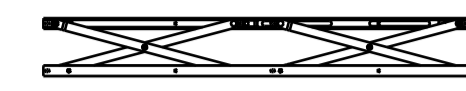
MANUAL OPERATION

TWO HANDLES CENTRAL ON SIDES
SINGLE HANDLE CENTRAL AT BOTTOM

PREFERRED OPTION
ALTERNATIVE OPTION

PX0670
MAXIMUM VENT WEIGHT FOR
MANUAL OPERATION 200 KG

PX0950



1250 - 2000

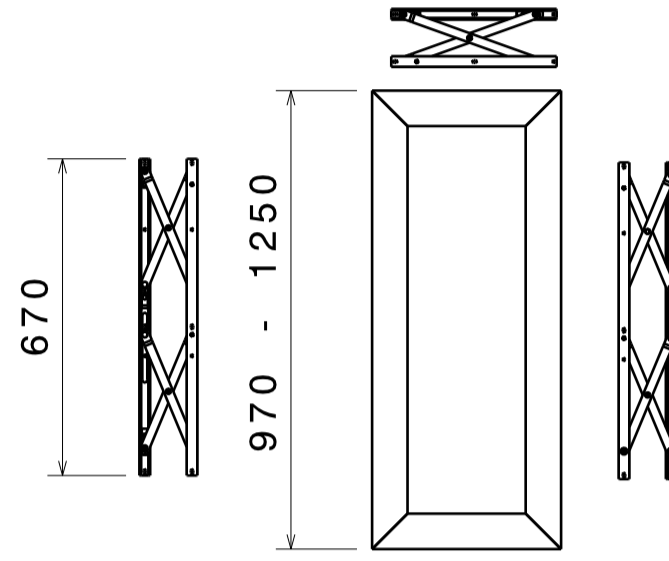


MANUAL OPERATION VENTS UP TO 1500 WIDE

TWO HANDLES CENTRAL ON SIDES
UP TO 2000 WIDE SINGLE HANDLE CENTRAL AT BOTTOM

PREFERRED OPTION
ALTERNATIVE OPTION

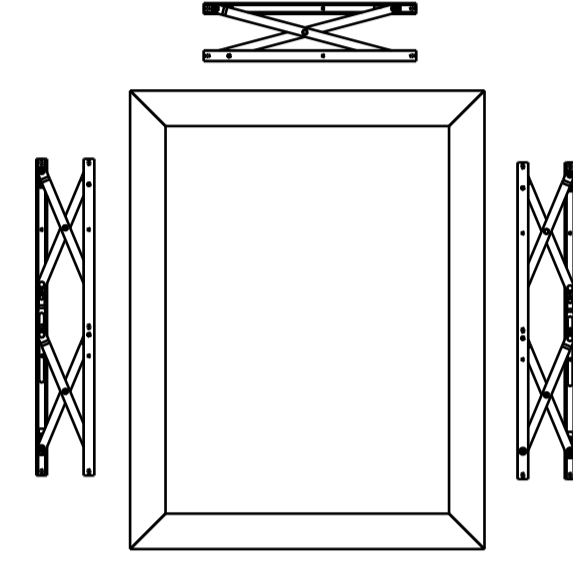
C8571 DROP IN LIMIT
STOP MAX OPENING
MOTION 150 MM, ONE
PER SIDE



MANUAL OPERATION

TWO HANDLES CENTRAL ON SIDES
SINGLE HANDLE CENTRAL AT BOTTOM

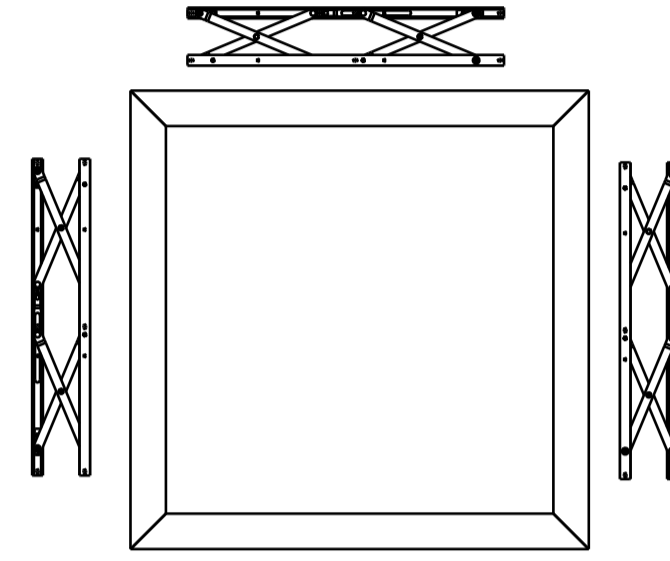
PREFERRED OPTION
ALTERNATIVE OPTION



MANUAL OPERATION

TWO HANDLES CENTRAL ON SIDES
SINGLE HANDLE CENTRAL AT BOTTOM

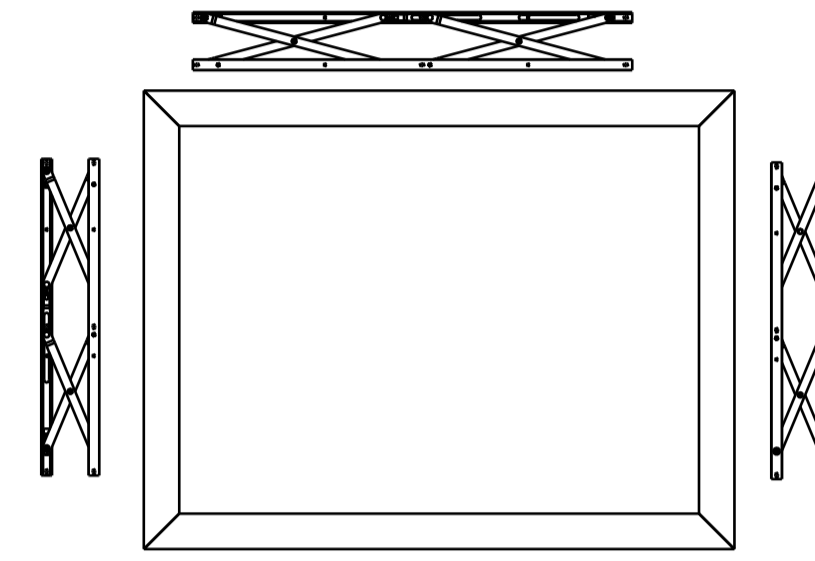
PREFERRED OPTION
ALTERNATIVE OPTION



MANUAL OPERATION

TWO HANDLES CENTRAL ON SIDES
SINGLE HANDLE CENTRAL AT BOTTOM

PREFERRED OPTION
ALTERNATIVE OPTION



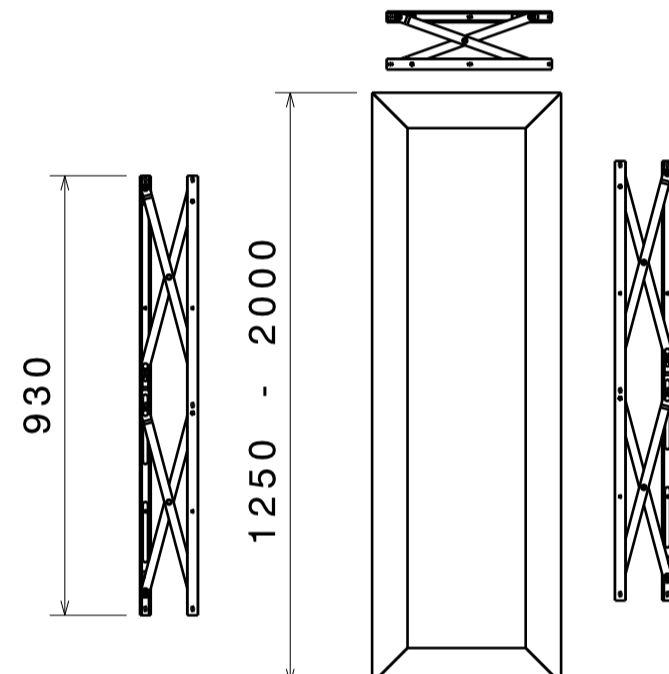
MANUAL OPERATION VENTS UP TO 1500 WIDE

TWO HANDLES CENTRAL ON SIDES
UP TO 2000 WIDE SINGLE HANDLE CENTRAL AT BOTTOM

PREFERRED OPTION
ALTERNATIVE OPTION

C8627 DROP IN LIMIT
STOP MAX OPENING
MOTION 150 MM, ONE
PER SIDE

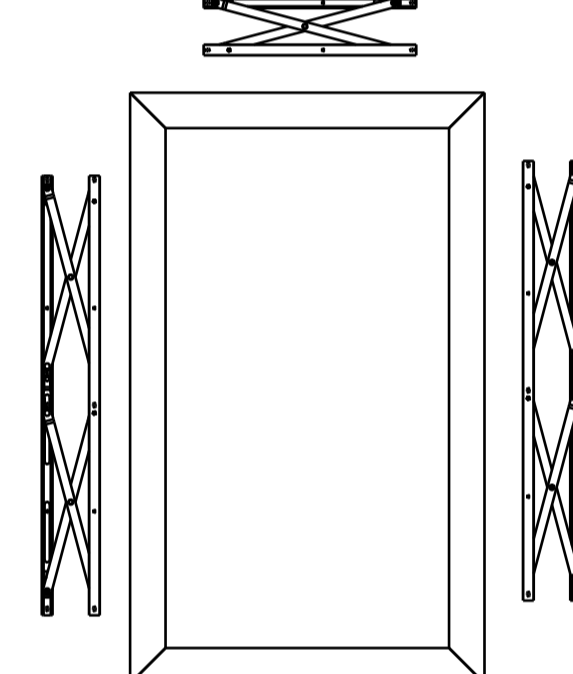
PX0950
MAXIMUM VENT WEIGHT FOR
MANUAL OPERATION 200 KG



MANUAL OPERATION

TWO HANDLES CENTRAL ON SIDES

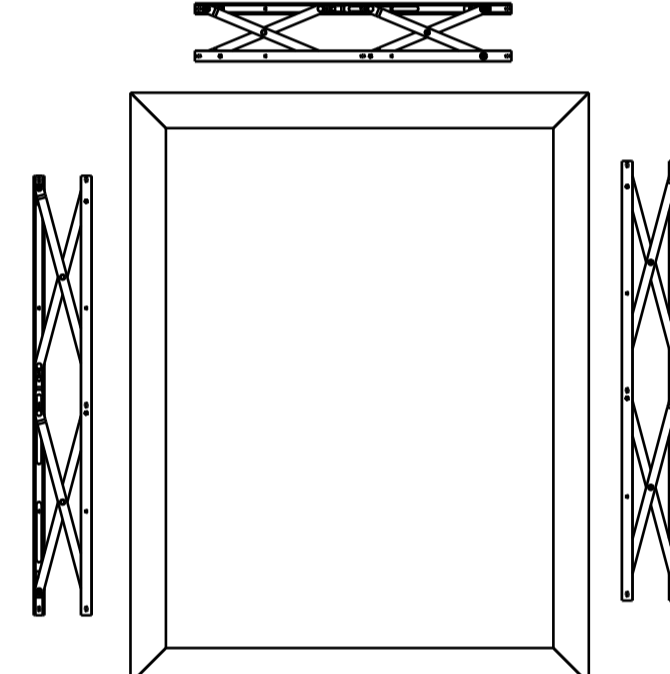
PREFERRED OPTION
ALTERNATIVE OPTION



MANUAL OPERATION

TWO HANDLES CENTRAL ON SIDES

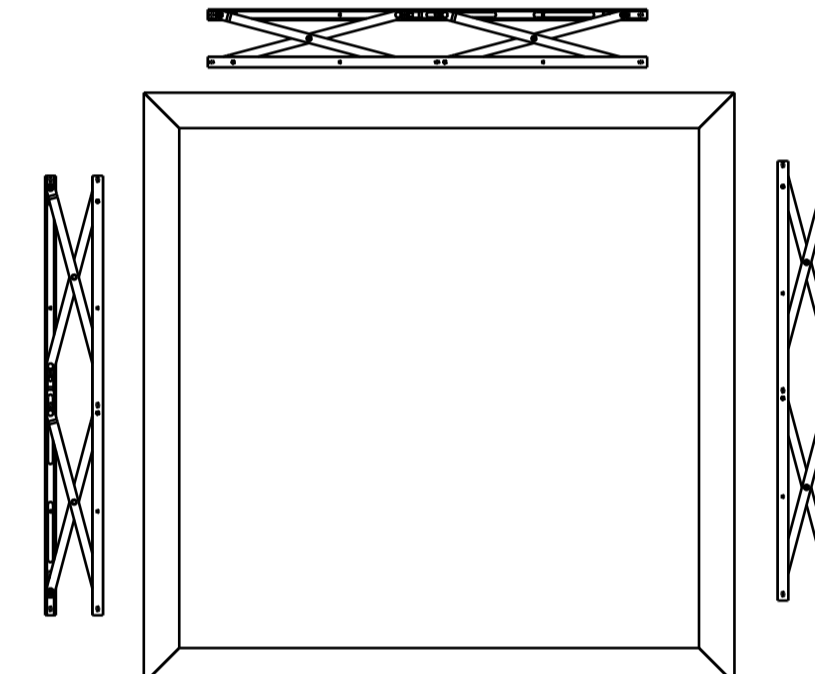
PREFERRED OPTION
ALTERNATIVE OPTION



MANUAL OPERATION

TWO HANDLES CENTRAL ON SIDES

PREFERRED OPTION
ALTERNATIVE OPTION



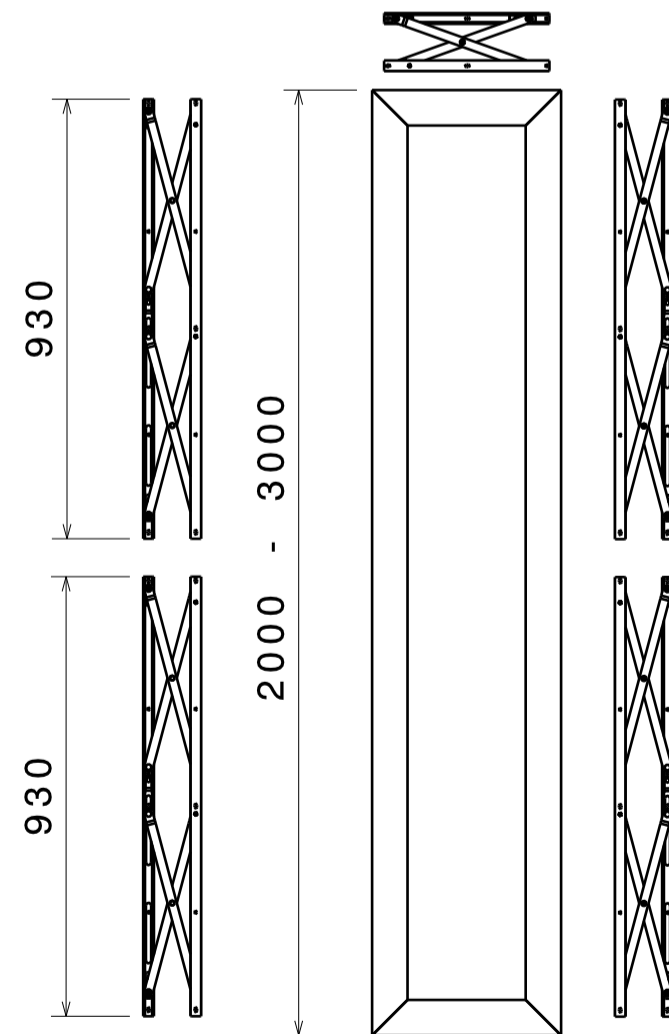
MANUAL OPERATION VENTS UP TO 1500 WIDE

TWO HANDLES CENTRAL ON SIDES
VENTS OVER 1500 WIDE MOTORISED OPERATION ONLY

PREFERRED OPTION
ALTERNATIVE OPTION

C8571 DROP IN LIMIT STOP
MAX OPENING MOTION
150 MM, ONE PER SIDE.

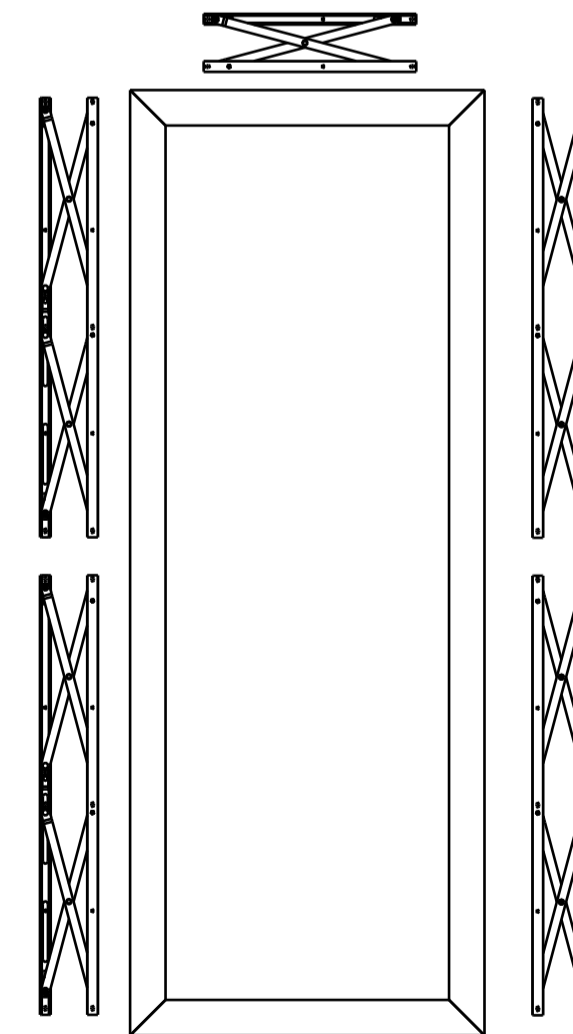
PX0950
MULTIPLE
MAXIMUM VENT WEIGHT FOR
MANUAL OPERATION 200 KG



MANUAL OPERATION

TWO HANDLES CENTRAL ON SIDES

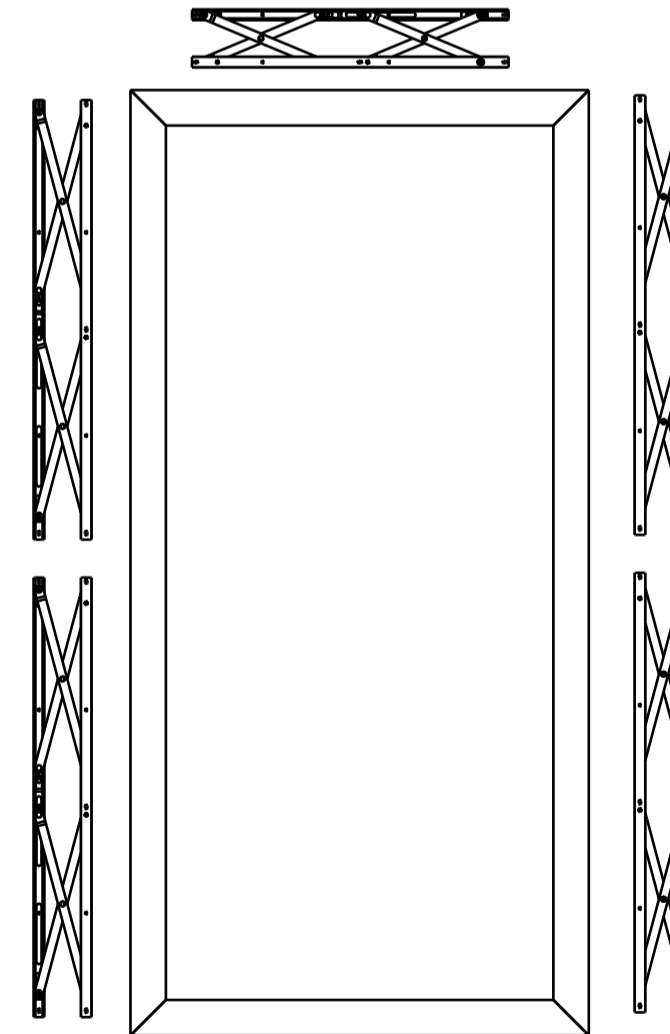
PREFERRED OPTION
ALTERNATIVE OPTION



MANUAL OPERATION

TWO HANDLES CENTRAL ON SIDES

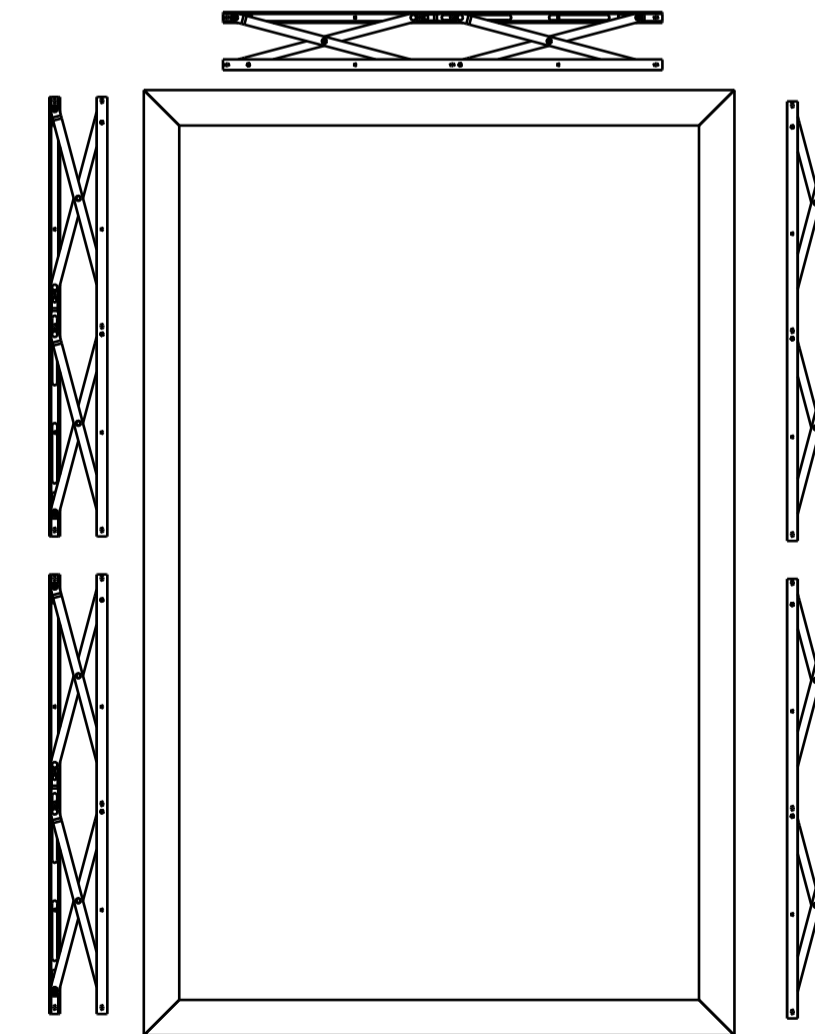
PREFERRED OPTION
ALTERNATIVE OPTION



MANUAL OPERATION

TWO HANDLES CENTRAL ON SIDES

PREFERRED OPTION
ALTERNATIVE OPTION



MANUAL OPERATION VENTS UP TO 1500 WIDE

TWO HANDLES CENTRAL ON SIDES
VENTS OVER 1500 WIDE MOTORISED OPERATION ONLY

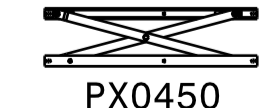
PREFERRED OPTION
ALTERNATIVE OPTION

C8571 DROP IN LIMIT STOP
MAX OPENING MOTION
150 MM, ONE PER SIDE.

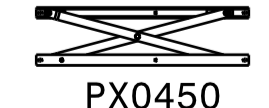
NOTE :- ALL HINGES TO BE MOUNTED CENTRALLY
OR EQUALLY SPACED FOR MULTIPLE HINGE
APPLICATIONS.



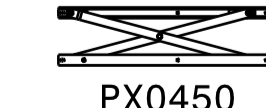
PX0350



PX0450



PX0670



PX0950

NOTE :- THE HINGES DO NOT PROVIDE WEATHER
SEAL COMPRESSION.
MULTIPLE LOCKING POINTS ARE REQUIRED TO
PROVIDE WEATHER SEAL COMPRESSION.

ABOVE RECOMMENDATIONS ARE GUIDANCE ONLY

FOR ALL PARALLEL PROJECTS REQUIRING A SECURISTYLE GUARANTEE CONTACT SECURISTYLE TECHNICAL DEPARTMENT FOR A FULL HARDWARE SPECIFICATION
FOR MOTORISED VENTS AND FOR VENTS WHERE THE WEIGHT, SIZE, SHAPE OR HANDLE POSITION ARE NOT COVERED BY THE ABOVE DETAILS PLEASE CONTACT SECURISTYLE TECHNICAL DEPARTMENT

A	XXXXX	00/00/00	XXX
Iss.	Modification	Date	Sig.
DO NOT SCALE - If in doubt ask!			
Tolerances u.o.s.			
x = ±0.5			
x.0 = ±0.2			
x.00 = ±0.1			
Angles ±0.5°			
All dimensions in millimeters u.o.s.			
Remove sharp edges			
Concentricity within 0.3 T.I.R.			
Drawn by:	Date:	30/04/08	
JFL	XXX		
Checked by:	Date:	XXX	
XXX	XXX		
Description:			
PARALLEL HINGE SELECTION CHART			
Used on:			
XXX			
Similar to:			
XXX			
Raw Material:			
XXX			
Scale:	Sheet:	1 of 1	
1:1			
Securistyle Ltd. Kingswood Industrial Estate Princess Elizabeth Way, Cheltenham, Gloucestershire, GL51 7PE Tel: +44 (0)1242 221200 Fax: +44 (0)1242 220808 Web: www.securistyle.co.uk This drawing is the property of Securistyle Ltd and must not be copied, reproduced or used without permission of Securistyle Ltd.			
Drawing No.:	Issue:	PAR SELECT 1	